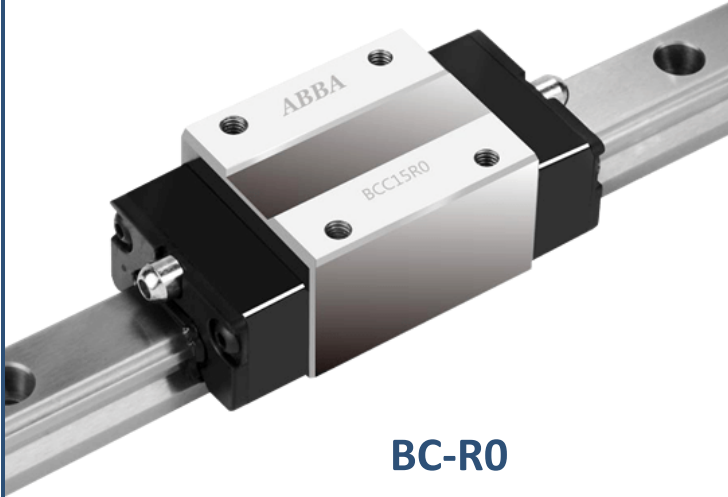
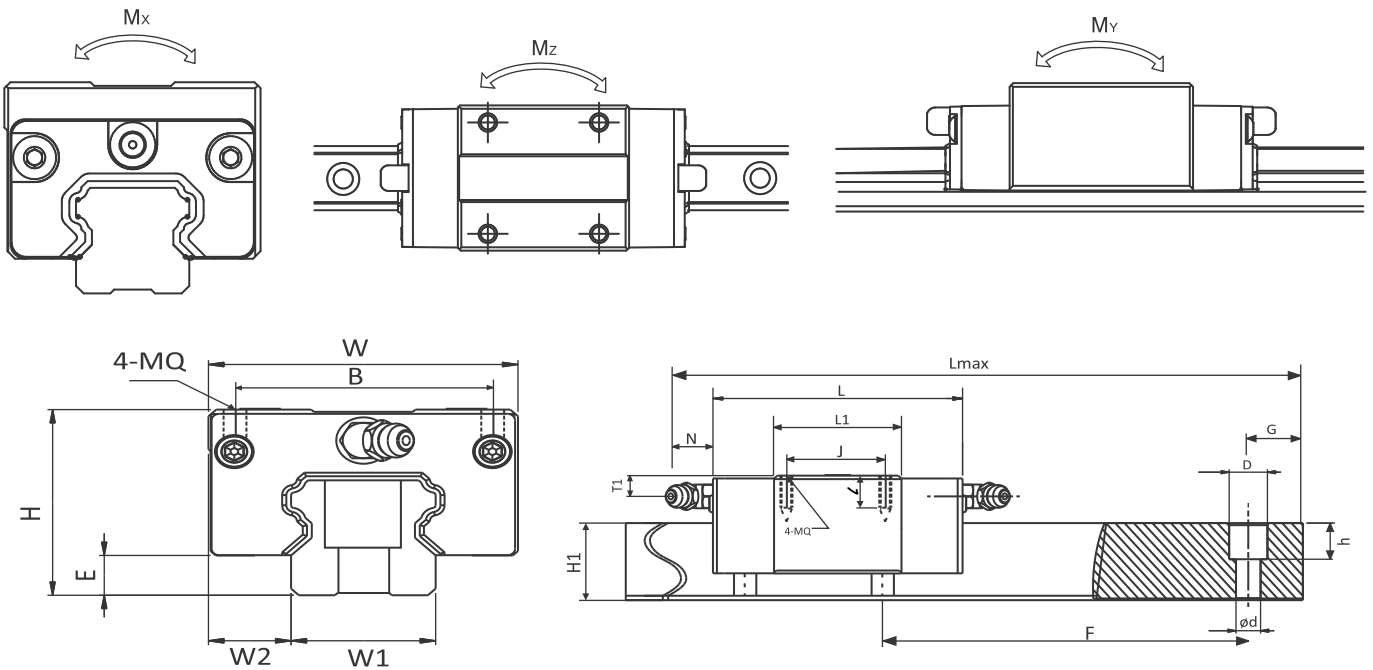


BCC-R0/LR



BC-R0

BC-LR



کد کاس	Assembly (mm)				BR block (mm)							BR rail (mm)				قیمت	
	H	W	W2	E	L	BxJ	MQxL	L1	Oil hole	T1	(N)	W1	H1	F	dxDxh	دلار	تومان
BCC 55R0	80	100	23.5	12.7	181	75x75	M12x19	131	M8x1	30	16	53	38	120	16x23x20.1		
BCC 55LR	80	100	23.5	12.7	223	75x95	M12x19	173	M8x1	30	16	53	38	120	16x23x20.1		

کد کاس	Ref.Data (mm)		Basic Load Rating (kgf)		Static Moment (kgf*m)			Weight	
	Lmax	G	C	CO	Mx	My	Mz	Block (kg)	Rail (kg/m)
BCC 55R0	4000	30	7600	12800	446	355	355	5.2	14.5
BCC 55LR	4000	30	9300	17100	580	600	600	6.7	14.5

